

Catalog Number
Notes
Type

FEATURES & SPECIFICATIONS

INTENDED USE — Ideal for damp/wet locations such as outdoor venues, canopies and locker rooms. Not for use or installation in direct outdoor sunlight. Must be installed under canopy or covered ceiling. For direct sunlight installations, please refer to the FEX product family. **Certain airborne contaminants can diminish integrity of acrylic and/or polycarbonate.** [Click here for Acrylic-Polycarbonate Compatibility table for suitable uses.](#)

Certain airborne contaminants may adversely affect the functioning of LEDs and other electronic components, depending on various factors such as concentrations of the contaminants, ventilation, and temperature at the end-user location. [Click here for a list of substances that may not be suitable for interaction with LEDs and other electronic components.](#)

CONSTRUCTION

- Light Gray Polycarbonate housing
- Frosted Polycarbonate lens
- Poured in place polyurethane gasket
- Polycarbonate Latches, optional stainless steel latches available.
- Standard 1/2" wet location fitting

ELECTRICAL

- High Efficiency LEDs meet DLC Standard
- MVOLT (120-277V) & 347V
- 0-10V Dimming standard

Luminaire Surge Protection Level: Designed to withstand up to 2.5kV/0.75kA per ANSI C82.77-5-2015. For applications requiring higher level of protection additional surge protection must be provided.

INSTALLATION

- Surface (wall, ceiling) using standard brackets
- Suspended (chain, cable) using standard brackets

LISTINGS

- CSA Certified to UL & C-UL Standards for wet location
- IP65, IP66 rated per IEC60529
- NSF Splash zone rated
- FCC Title 47, Part 15 Subpart B compliant
- 2.5kV/0.75kA Surge Rated per ANSI C82-77-5-2015
- CSA Ambient Listings on Page 3
- Lumen Maintenance Listed on Page 3

DesignLights Consortium® (DLC) qualified product. Not all versions of this product may be DLC qualified. Please check the DLC Qualified Products List at www.designlights.org/QPL to confirm which versions are qualified.

WARRANTY — 5-year limited warranty. This is the only warranty provided and no other statements in this specification sheet create any warranty of any kind. All other express and implied warranties are disclaimed. Complete warranty terms located at: www.acuitybrands.com/support/warranty/terms-and-conditions

Note: Actual performance may differ as a result of end-user environment and application. All values are design or typical values, measured under laboratory conditions at 25 °C. Specifications subject to change without notice.

Vapor Tight LED Strip Light

CSV T



A+ Capable Luminaire

This item is an A+ capable luminaire, which has been designed and tested to provide consistent color appearance and out-of-the-box control compatibility with simple commissioning.

- All configurations of this luminaire meet the Acuity Brands' specification for chromatic consistency
- This luminaire is part of an A+ Certified solution for nLight® or XPoint™ Wireless control networks marked by a **shaded background***

To learn more about A+, visit www.acuitybrands.com/aplus.

*See ordering tree for details

CSV T Vapor Tight LED Strip Light



Looking for Contractor Select readily available configurations? Click here to visit Contractor Select™ spec sheet or go to www.contractorselect.com



A+ Capable options indicated by this color background.

ORDERING INFORMATION

Lead times will vary depending on options selected. Consult with your sales representative.

Example: CSV T L48 ALO3 MVOLT SWW3 80CRI

Series	Length	Lumen Output	Voltage	Color temperature	Color rendering index
CSV T Linear LED Vapor Tight	L48 48"	3000LM 3,000 lumens ‡ 4000LM 4,000 lumens ‡ 5000LM 5,000 lumens ‡ 6000LM 6,000 lumens ‡ ALO3 Switchable lumens, 3000LM / 4000LM / 5000LM	MVOLT 120-277V 347 347V	35K 3500K ‡ 40K 4000K ‡ 50K 5000K ‡ SWW3 Switchable white, 35K / 40K / 50K	80CRI 80 CRI
	L96 96"	6000LM 6,000 lumens ‡ 8000LM 8,000 lumens ‡ 10000LM 10,000 lumens ‡ 12000LM 12,000 lumens ‡ ALO4 Switchable lumens, 6000LM, 8000LM, and 10000LM			

Options

STSL	Stainless steel latches	Individual Controls ‡
IE7WCP	Emergency battery pack, 7W, CA Title 20 Noncompliant ‡	SBOR10 360° integral low mount motion sensor (standard on/off operation)
IE7WCPHE	Emergency battery pack, 7W, Certified in CA Title 20 MAEDBS ‡	SBOR10 D 3V 360° integral low mount motion sensor with dimming (low trim set at 30%)
WLFEND2	Wet location fitting (fittings out both ends) ‡	SBOR10 P 360° integral low mount motion sensor with photocell
		nLight Wireless Controls ‡
		NLTAIR2 RSBOR10 nLight (wireless) gen 2 high mount occupancy & daylight sensor

NOTE: ‡ indicates option chosen has ordering restrictions. Please reference ordering restrictions chart.

‡ Option Value Ordering Restrictions	
Option value	Restriction
35K, 40K, 50K	Not available with ALO lumen packages.
3000LM, 4000LM, 5000LM, 6000LM, 8000LM, 10000LM, 12000LM	Not available with SWW3.
CSV T STSL LATCH	Requires two for L96
IE7WCP, IE7WCPHE	Not available with 347V.
Individual Controls	Not available with WLFEND2 option.
nLight Wireless Controls	Not available with WLFEND2 option.
WLFEND2	Not available with cord set or sensor options.

Accessories: Order as separate catalog number.
CSV T STSL LATCH Stainless steel latch kit (Set of 10) ‡

<p>How to Estimate Delivered Lumens in Emergency Mode Use the formula below to estimate the delivered lumens in emergency mode Delivered Lumens = 1.25 x P x LPW P = Output power of emergency driver. P = 10W for IE10WCPHE LPW = Lumen per watt rating of the luminaire. This information is available on the ABL luminaire spec sheet. The LPW rating is also available at Designlight Consortium.</p>

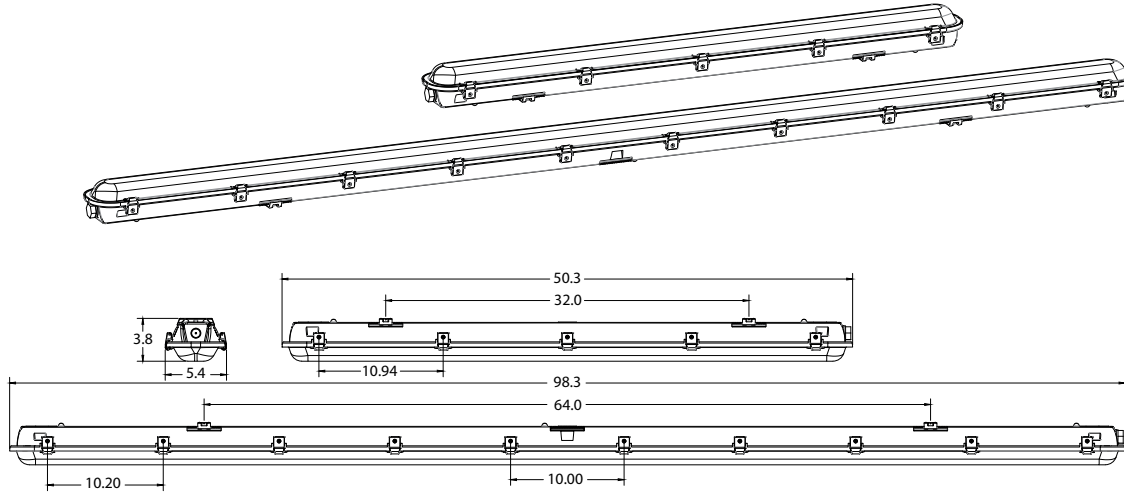
CSV T Vapor Tight LED Strip Light

DIMENSIONS

All dimensions are shown in inches unless otherwise noted.

Length	Width	Height	Length	Approximate weight	Fixtures per pallet
L48	5.4	3.8	50.3	5 lbs	70
L96	5.4	3.8	98.3	10 lbs	70

*Weights will vary slightly with added options.



CSV T Vapor Tight LED Strip Light

OPERATIONAL DATA

Length	Package	Voltage	Watts	3500 K		4000 K		5000 K		Comparable Lightsource
				Lumens	LPW	Lumens	LPW	Lumens	LPW	
L48	3000LM	MVOLT	24	3033	125	3106	128	3134	129	1-lamp 32W T8, 1-lamp 54W T5H0, 50W HID
		347	28		108		110		11	
	4000LM	MVOLT	34	4065	119	4163	122	4200	123	2-lamp 32W T8, 1-lamp 54W T5H0, 50W HID
		347	40		102		105		106	
	5000LM	MVOLT	42	4829	115	4946	118	4989	119	2-lamp 32W T8, 1-lamp 54W T5H0, 70W HID
		347	49		99		101		102	
	6000LM	MVOLT	49	6066	125	6213	128	6268	129	2-lamp 32W T8, 2-lamp 54W T5H0, 100W HID
		347	56		42		110		111	
	ALO3 (3000LM)	MVOLT	24	3019	124	3106	128	3141	129	1-lamp 32W T8, 1-lamp 54W T5H0, 50W HID
		347	28		107		110		111	
	ALO3 (4000LM)	MVOLT	34	4046	118	4163	122	4210	123	2-lamp 32W T8, 1-lamp 54W T5H0, 50W HID
		347	40		102		105		106	
ALO3 (5000LM)	MVOLT	42	4806	114	4946	118	5001	119	2-lamp 32W T8, 1-lamp 54W T5H0, 70W HID	
	347	49		98		101		102		
L96	6000LM	MVOLT	49	6066	125	6213	128	6268	129	2-lamp 32W T8, 2-lamp 54W T5H0, 100W HID
		347	56		108		110		111	
	8000LM	MVOLT	68	8130	119	8326	122	8400	123	3-lamp 32W T8, 2-lamp 54W T5H0, 100W HID
		347	80		102		105		106	
	10000LM	MVOLT	84	9658	115	9891	118	9979	119	4-lamp 32W T8, 2-lamp 54W T5H0, 150W HID
		347	98		99		101		102	
	12000LM	MVOLT	103	12133	118	12425	121	12535	122	4-lamp 32W T8, 3-lamp 54W T5H0, 150W HID
		347	120		101		104		105	
	ALO4 (6000LM)	MVOLT	49	6038	124	6213	128	6283	129	2-lamp 32W T8, 2-lamp 54W T5H0, 100W HID
		347	56		107		110		111	
	ALO4 (8000LM)	MVOLT	68	8092	118	8326	122	8420	123	3-lamp 32W T8, 2-lamp 54W T5H0, 100W HID
		347	80		102		105		106	
ALO4 (10000LM)	MVOLT	84	9613	114	9891	118	10003	119	4-lamp 32W T8, 2-lamp 54W T5H0, 150W HID	
	347	98		98		101		102		

*All values are typical and are at 25C. Actual performance may vary and is dependent on operating environment.

PROJECTED LUMEN MAINTENANCE			
Lumen Maintenance Factor	0.91	0.81	0.75
Operating Hours	40,000	90,000	120,000

*Actual performance may vary based on ambient temperature of installed location.

Ambient Temperature Ratings

Fixture Length	Lumen Package	Temperature rating	Temperature rating with IETWC
L48	3000LM	-40° C - 45° C	0° C to 30° C
	4000LM	-40° C - 45° C	0° C to 30° C
	5000LM	-40° C - 45° C	0° C to 30° C
	6000LM	-40° C - 35° C	0° C to 30° C
L96	6000LM	-40° C - 30° C	0° C to 30° C
	8000LM	-40° C - 30° C	0° C to 30° C
	10000LM	-40° C - 30° C	0° C to 30° C
	12000LM	-40° C - 30° C	0° C to 30° C

Number of Boards and Drivers

Fixture length	Lumen package	Driver QTY	Board QTY
L48	3000LM	1	1
	4000LM	1	1
	5000LM	1	1
	6000LM	1	1
	ALO3	1	1
L96	6000LM	1	2
	8000LM	1	2
	10000LM	1	2
	12000LM	1	2
	ALO4	1	2