

# TO KISTAR Selection Guide



Lighting Innovation

# Tokistar™ Innovation

Since Tokistar's inception in 1971, we have remained dedicated to realizing our goals by dreaming, experimenting and bringing them to light. With the market constantly evolving due to the introduction of new LED technologies, we have aggressively kept pace. Our objective has always been to create innovative lighting systems which perform beyond expectations. This we do with great passion.



**Gradient GRX & O'Links - Page 4**  
High-output luminaire for exterior wall grazing



**Gradient GRHB & I'Links - Page 5**  
High-output luminaire for interior wall grazing



**TokiLux - Page 10**  
Compact LED luminaires for wall grazing, cove and indirect applications with Kelvin-Tuning and RGB options



**Focal Series - Pages 6 & 7**  
Spotlights with a 3 degree beam and glare-free reflector for indoor and outdoor applications



**Light Veil - Page 11**  
Interior Wall Grazer with asymmetrical optics for surface and recessed applications



**Micro Series - Pages 8 - 9**  
Miniature LED systems for showcase, display, museum and shelf lighting

Tokistar Systems are ETL Listed and marked in accordance with CE Standards.





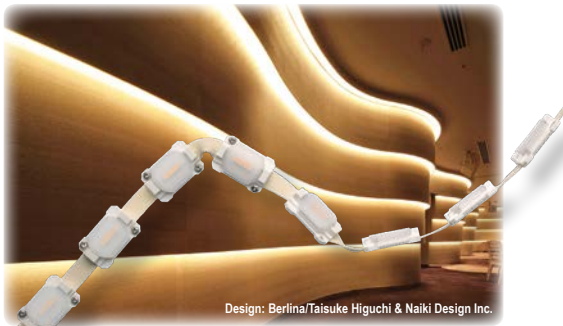
## Tokilinear - Page 12

Tokilinear produces uniform light in 2500, 2700, 3000, 4000K and RGB



## Lightstrings - Page 16

Exterior systems with sockets permanently sealed to a flexible cable for tree, panel and sign illumination



Design: Berlina/Taisuke Higuchi & Naiki Design Inc.

## Advantage - Page 13

Flexible LED cove and indirect lighting with a dim-to-warm option



## Tapelight - Page 17

All environment flexible lighting fixtures for a wide range of indirect and point-source applications



## Exhibitor - Page 14

All environment festoon lighting with clear, frosted and colored globes



## Tokilum and Trillium - Page 18

Low profile and all environment lighting in a variety of color temperatures and RGB



Design: Nendo  
Photo: Masaya Yoshimura

## Reveler - Page 15

Flexible indirect lighting for use in all environments with optional channels and louvers



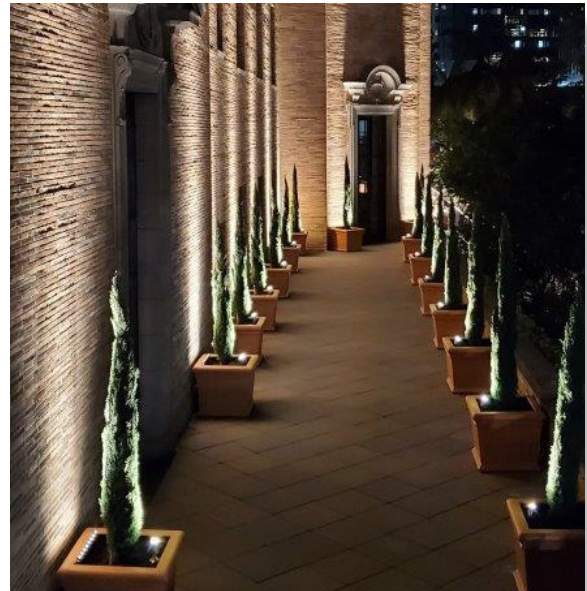
## Linear Channels & Cable Lighting - Page 19

Exterior and interior extruded channels in a variety of finishes, profile sizes and shapes

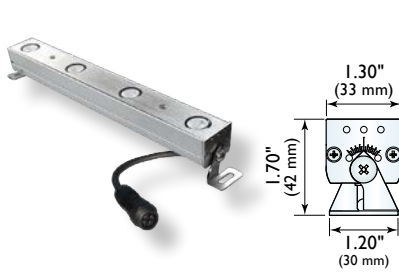
Tokistar's GRX Series is a highly efficient LED luminaire for use in exterior and interior wall grazing applications. High-output 3 watt LEDs are sealed within an extruded aluminum housing. GRX is Wet-Location Listed and has an IP66 rating.

Color temperatures include 2700, 3000 & 4000K LEDs with 15 degree optics. Fixtures are available in different lengths and linked together with reliable waterproof connectors for plug-and-go simplicity.

Our unique dimming gear can control entire zones from a single dimmer pack operated from industry-standard DMX and 0/1-10VDC dimming equipment.



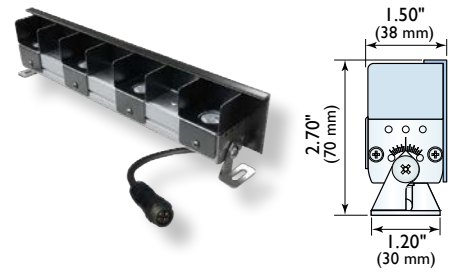
Small sections of GRX fixtures artfully light this pathway.



**GRX Standard**



**GRX with Glare Guard**

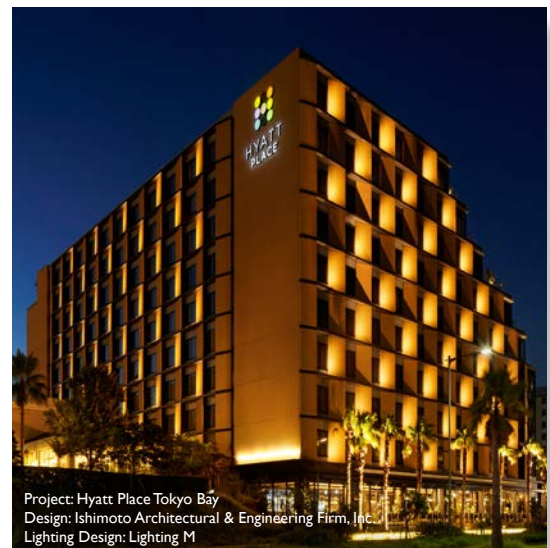
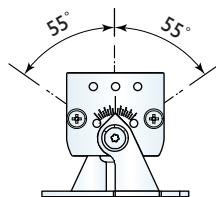


**GRX with Glare Guard & Louvers**

## O'Links

GRX O'Links are the same size profiles and have the same options as standard GRX Gradient. They are available in 1 or 3-LED module versions for casting light on columns, illuminating within a narrow space or linked together to flow light along curved surfaces.

O'Links operate from our constant current LED drivers with integral 0-10VDC dimming capability on board. Up to 18 LEDs may be connected in series. O'links is Wet-Location Listed and has an IP66 rating.



Project: Hyatt Place Tokyo Bay  
Design: Ishimoto Architectural & Engineering Firm, Inc.  
Lighting Design: Lighting M

O'Links with 3000K LEDs highlights each balcony.



Design: Kengo Kuma and Associates  
Lighting Design: Lightmoment Inc

GRHB with 2700K LEDs and a spread lens warmly grazes this wall display.

**T**okistar's Gradient GRHB is a compact LED luminaire for use in wall grazing interiors. The system features high-output 2.1 watt LEDs within an extruded aluminum housing.

Gradient GRHB has a variety of options designed toward meeting specific lighting objectives.

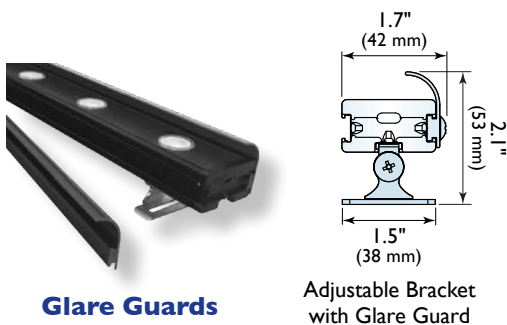
- LED spacings of 2.4"/60mm, 3"/75mm and 4"/100mm
- Optics includes an 8, 15 or 40 x 15 degree spread lens
- Color temperatures include 2700, 3000 and 4000K
- Mounting options include fixed or adjustable brackets
- Optional louvers and a glare guard keep light discreetly hidden from view



**Honeycomb Louver**

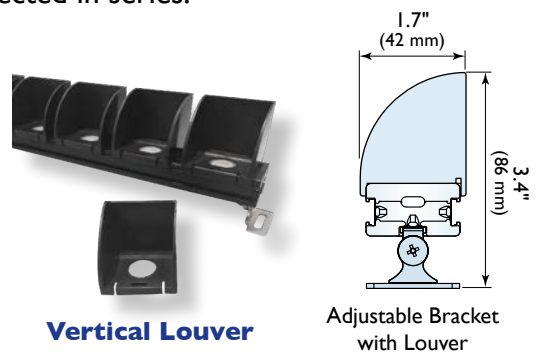
Fixed Bracket with Honeycomb Louver

GRHB operates from constant current LED drivers with integral 0-10VDC dimming capability on board. Up to 18 LEDs may be connected in series.



**Glare Guards**

Adjustable Bracket with Glare Guard



**Vertical Louver**

Adjustable Bracket with Louver

## I'Links

I'Links are single LED modules of GRHB with flexible wires connecting them in series. Each module can be fitted with the same options available with GRHB Series.

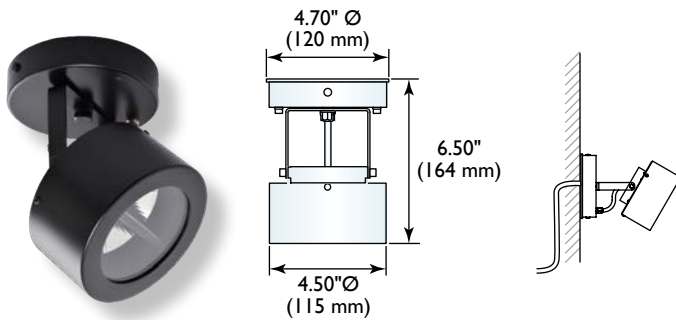


# Focal Series

Tokistar's Focal Spotlight and Focal Line are all-environment fixtures producing a very concentrated 3 degree beam of light with a glare-free reflector. Beam direction can be precisely controlled by rotating and pivoting the fixtures. Light sources are 2.1 watt LEDs operating from our dimmable 700mA LED drivers. Fixtures are Wet-Location Listed and have an IP66 rating.

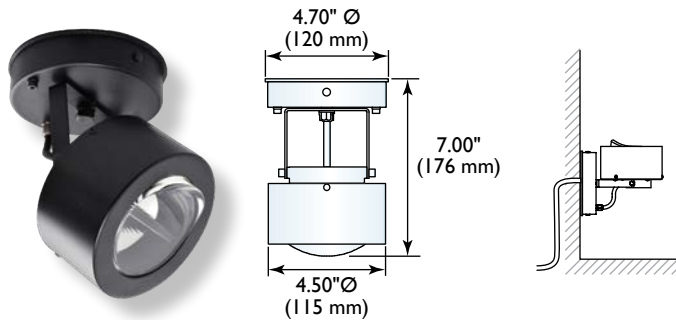
## Focal Spotlight™

Focal Spotlight is used to pinpoint distant objects with a 3 degree beam of symmetrical light.

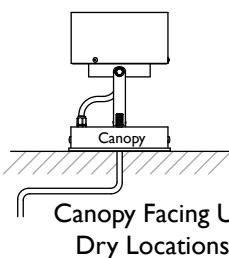
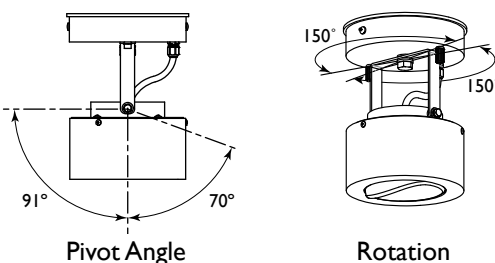


## Focal Line™

Focal Line features an asymmetrical lens to cast a line of light on building facades.

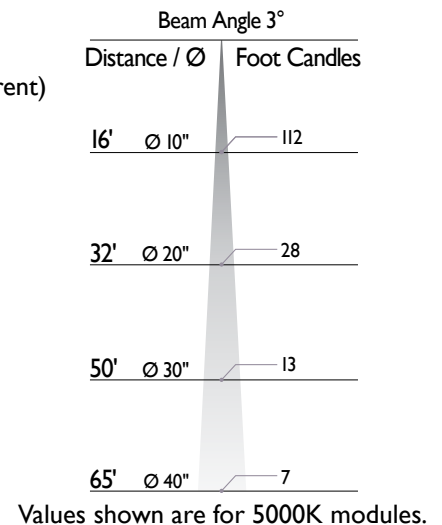


## Fixture Orientation



## Specifications

LED Current: 700mA (Constant Current)  
LED Power: 2.1W  
Dimming: 0-10VDC  
Focal Spotlight Cd: 30,000  
Focal Line Cd: 17,000  
Beam Angle: 3°  
Color Temperatures: 3000, 5000K  
Focal Spotlight Lumens: 3000K/73 lm, 5000K/83 lm  
Focal Line Lumens: 3000K/88 lm, 5000K/100 lm  
CRI: 80  
Enclosure Rating: IP66  
Weight: 1.7 lbs



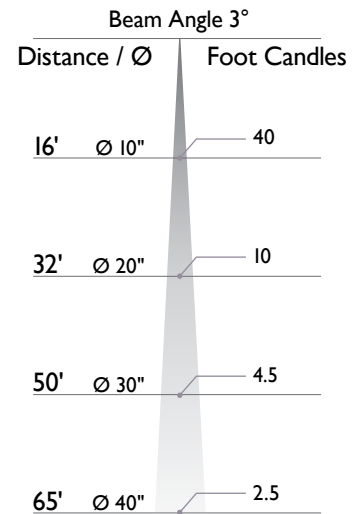
## Focal SpotMini™

With the advent of LED down lights, there has been a void on how to precisely focus a concentrated beam of glare-free light on distant objects. Tokistar's Focal SpotMini is the innovative solution.

This luminaire produces a concentrated 3 degree beam of light with a glare-free reflector. Light sources are 2.1 watt LEDs. Beam direction is precisely controlled by having the ability to rotate and pivot the fixture head.

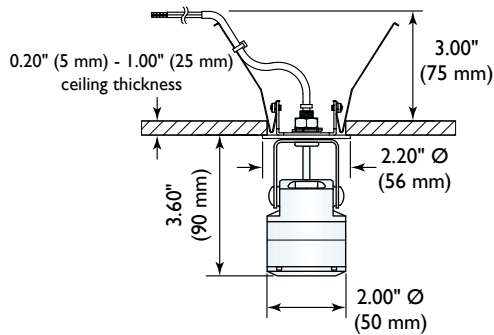


Focal SpotMini directs a 3° beam of light precisely where needed.



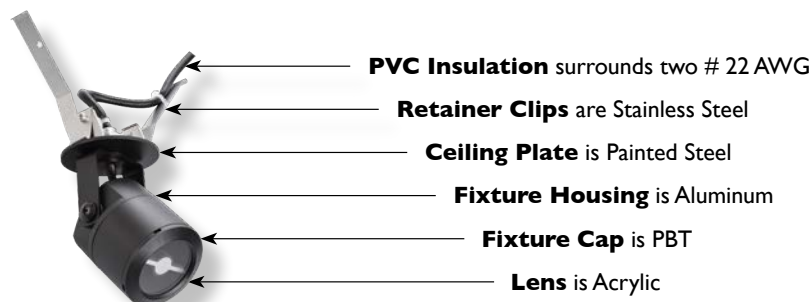
Values shown are for 3000K modules

## Specifications



LED Current: 700mA  
LED Power: 2.1W  
Dimming: 0-10VDC  
Cd: 10,800  
Beam Angle: 3°  
Color Temperatures: 2400K, 2700K, 3000K, 4000K, 5000K

Lumens: 2400K/34 lm, 2700K/41 lm, 3000K/45 lm, 4000K/50 lm, 5000K/55 lm  
CRI: 85  
Rotation: 360°  
Pivot: 90°  
Cutout Dimension: 2" Ø  
Fixture Weight: 0.6 lbs



Tokistar's Micro Series features unique systems designed to shed light on objects and define Micro in a whole new way. Micro Spotlight / Tracklight and Downlight are available in 2700, 3000, 4000 and 5000K. Their optics package includes 16, 24 and 30 degree interchangeable lenses.

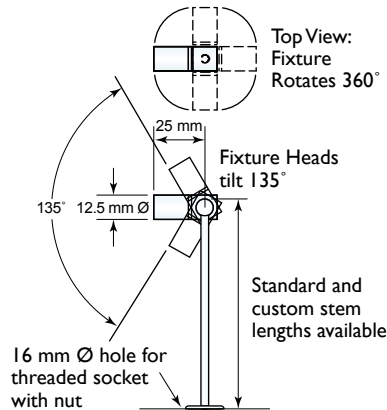
All systems operate from universal-input Class 2 power supplies and are dimmed with a PWM signal to ensure fluid and flicker-free operation at all light levels.



Micro Spotlight brilliantly highlights items in these showcases.

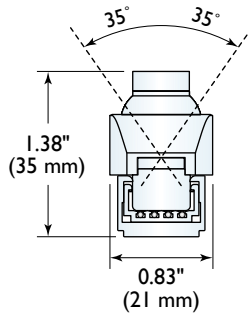
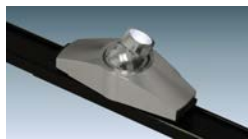
## Micro Spotlight™

The quality of light and superior craftsmanship of Micro Spotlight make them ideal for highlighting fine jewelry and valuable artifacts in vitrines. Available in a silver or black finish, these slender fixtures discreetly blend into any setting.



## Micro Tracklight™

Micro Tracklight is a unique miniaturized tracklight system. LED modules with pivoting eyeballs can be positioned at any location on the track. Modules are available in a black or silver finish and include a snoot to reduce glare.



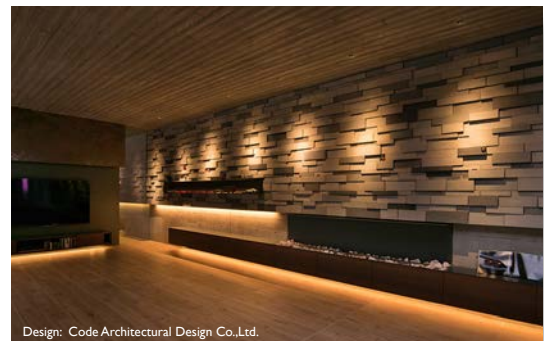
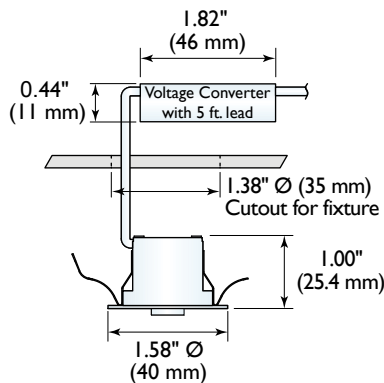
Micro Tracklight is easily concealed behind ledges.

## Micro Downlight™

Micro Downlights deliver powerful light from a very compact profile. They measure 1" tall and are installed in a 1-3/8" Ø cutout.



Downlights are available in a black, white or silver finish and include a snoot to reduce glare.



Micro Downlights provide stylish accents on this textured wall.



# Micro Light Cannon™

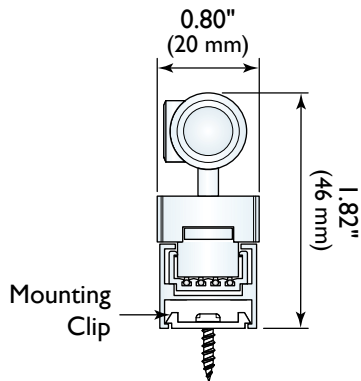
Light Cannon is the most recent addition to Tokistar's Micro Series. A refined look and 90 CRI rating makes it ideal for illuminating fine jewelry and artifacts in casework and museums.

LED modules may be positioned at any location on the track, and fixture heads can rotate and pivot to focus light precisely where needed. LED colors include 2700, 3000, 4000 and 5000K. Each 2.6 watt module may be fitted with optics of 16, 24 or 30 degree interchangeable lenses.

The system operates at 24VDC from our Class 2 LED drivers.



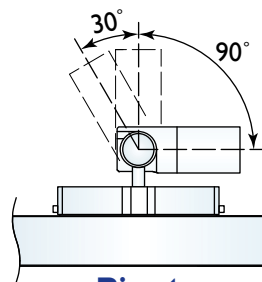
Micro Light Cannon fixtures with 3000K LEDs and a 24 degree lens illuminate this entire wall.



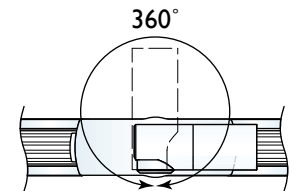
## Light Distribution

All values shown are for 3000K modules.

	16 D	24 D	30 D
	119 lm	119 lm	89 lm
20"	∅ 6" — 290	∅ 10" — 150	∅ 11" — 86
40"	∅ 12" — 72	∅ 20" — 37	∅ 22" — 22
60"	∅ 18" — 32	∅ 30" — 16	∅ 33" — 10
80"	∅ 24" — 18	∅ 40" — 10	∅ 44" — 6
100"	∅ 30" — 12	∅ 50" — 6	∅ 55" — 4
Distance / ∅	Foot Candles		



Pivot

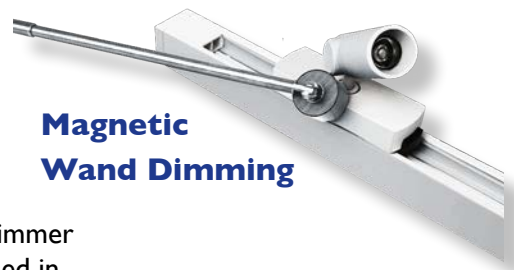


Rotate

## Dimming

Micro Light Cannon is fully dimmable. It may be fluidly dimmed from our standard line of PWM dimming gear. It also has the unique ability to independently address each LED module on a fixture with the tap of our Magnetic Wand to the side of each module.

There are six dim levels including dim-to-off. The last level selected is stored in memory when the fixture is turned off/on. No external dimmer is required to tap into this feature. The Magnetic Wand can also be used in conjunction with our PWM dimming gear.



Magnetic Wand Dimming

TokiLux Systems are high-performance LED luminaires for use in interiors as an indirect light source. They fit within tight architectural details and in a variety of casework and shelf conditions. The remarkable life ratings of our LEDs and replaceable Light Bars ensure the system will provide years of continuous service.

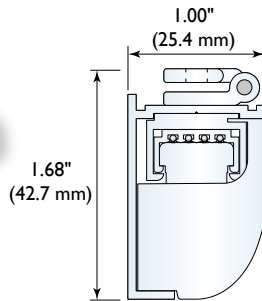
TokiLux operates from 24VDC LED drivers and dims fluidly from our dimming systems compatible with DMX or 0/1-10VDC dimming equipment.



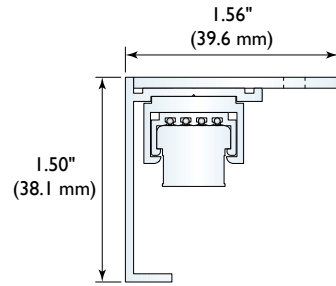
TokiLux WG with 2700K LEDs warmly accents this mural.

## TokiLux Wall Grazer

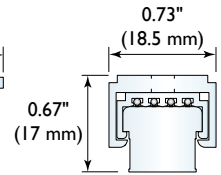
TokiLux WG is fitted with a unique optics package making the system ideal for use as a wall-grazing luminaire. Optional channels enhance performance with a linear glare guard and parallel louvers to prevent glare from many viewing perspectives. Color temperatures include 2400, 2700 and 3000K.



**TLXWG-CHV Series**  
Glare Guard + Louvers with Adjustable Bracket



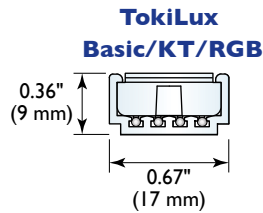
**TLXWG-CH Series**  
Glare Guard with Fixed Bracket



**TLXWG Series**  
with Mounting Clamp

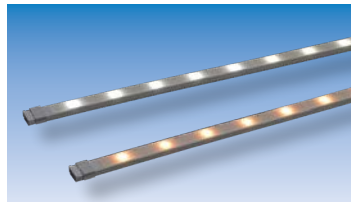
## TokiLux Basic System

TokiLux Basic is the perfect fit for most projects requiring a compact profile and broad light distribution. Color temperatures of 2000, 2400, 2700, 3000 and 4500K are available to complement any interior.



## TokiLux KT Kelvin Tuning

TokiLux KT has the ability to tune in a color temperature between 2400 to 4500K. You can then dim the selection to the desired brightness level.



TokiLux 4500K provides a striking backdrop.

## TokiLux RGB

TokiLux RGB color changing system creates vibrant and perfectly blended color. The compact profile is ideal for use in confined spaces or as edge lighting. Our control systems are easy to program and readily changed or animated to complement any theme or environment.



TokiLux RGB uses Tri-Color LED modules to ensure a perfect blended color.

**L**ight Veil is Tokistar's newest addition to our wall grazing systems. This one is quite unique with asymmetrical optics delivering a very powerful amount of light similar to a downlight, yet with the soft and even appearance of a wall washer.

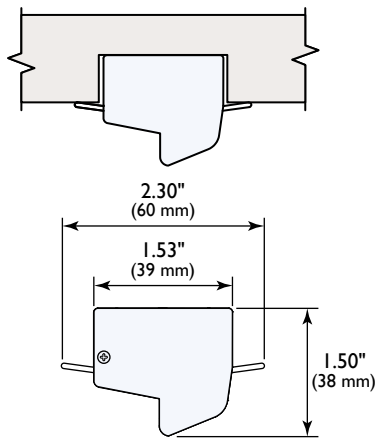
Since elements of the fixture are not always hidden from view, we've paid special attention to the outward appearances. Profiles have very refined and stylish powder coat finishes. Color temperatures include 2700, 3000 and 4000K.



A single Light Veil fixture seamlessly grazes this entire wall.



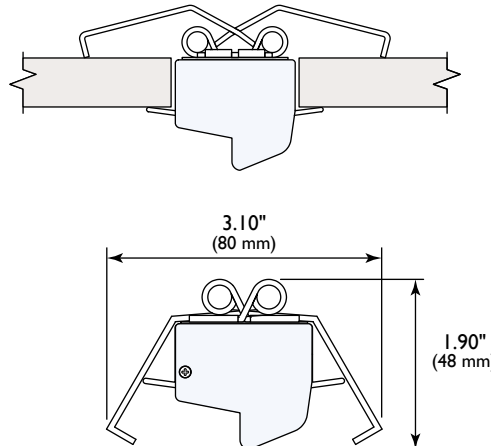
**LVRS Series** for direct attachment into a recessed space



**LVRS Series with End Cap**



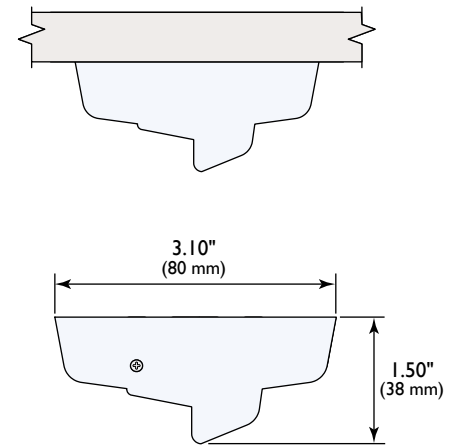
**LVRH Series** with hinges for ceilings with open air space above



**LVRH Series with Hinge and End Cap**

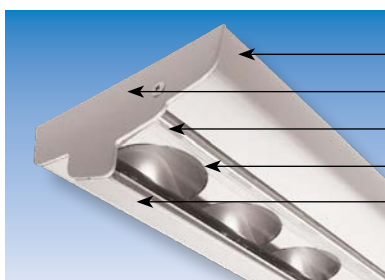


**LVSM Series** for surface mounting where no recess exists



**LVSM Series with End Cap**

## Specifications



**Extrusion** is Powder Coated Aluminum

**End Caps** are Powder Coated Aluminum

**Light Bars** are Rigid Polycarbonate 8" (200 mm) long

**Light Sources** are 0.80 Watt LEDs (5 per Light Bar)

**Baffle** is Powder Coated Aluminum

TokiLinear provides soft and uniform illumination. The compact profile is easily incorporated into confined spaces for both indirect and visible applications.

Color temperatures of 2500, 2700, 3000 and 4000K complement any interior scheme. Fixtures are powered from 24VDC LED drivers and may be dimmed fluidly from our control gear.



Project: Nihombashi Mitsukoshi Main Store  
 Owner: Isetan Mitsukoshi Ltd.  
 CM: Isetan Mitsukoshi Property Design Ltd.

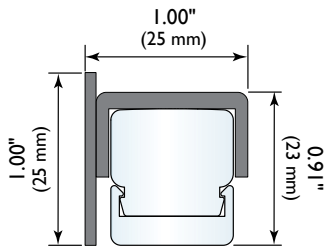
Design: Kengo Kuma and Associates  
 Lighting Design: Lighting Planners Associates  
 Photo: Fumito Suzuki

TokiLinear provides seamless indirect highlights in this elegant setting.

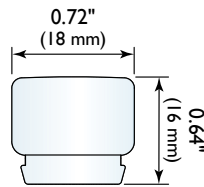


Project: Ichikawa Home Gallery  
 Design: Mitsubishi Estate Home Co., Ltd.

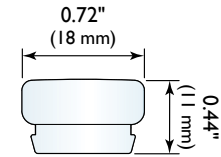
A diffused lens is for visible, or indirect applications to eliminate points of light on reflective surfaces. The translucent lens has a lower profile and produces more light for indirect applications. Our Ninja Louvers have a vertical baffle to block light from the side and a series of fine blades to minimize glare.



Diffused Lens with Ninja Louver and Standard Mounting Clamp



Diffused Lens



Translucent Lens

TokiLinear RGB also operates from 24VDC Class 2 LED drivers. Our control systems are easy to program and readily changed or animated to complement any theme or environment.



TokiLinear RGB incorporates RGB LEDs into the same profiles as standard TokiLinear. Tri-Color LEDs produce perfectly blended and vibrant color.

Advantage Systems provide an attractive, efficient, durable form of indirect decorative lighting. Flexible conductors conform precisely to curves, twists and turns.

Advantage can be specified in many different configurations. Energy-efficient LEDs include our signature warm white modules of 2000, 2400, 3000K, and our dim-to-warm Kelvin-Changing LED.

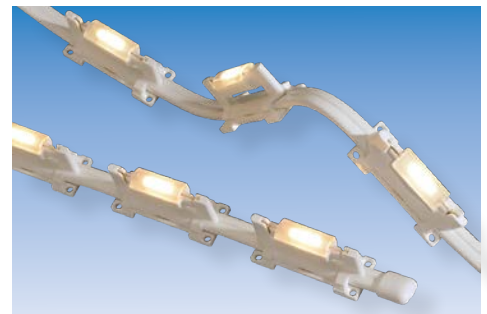
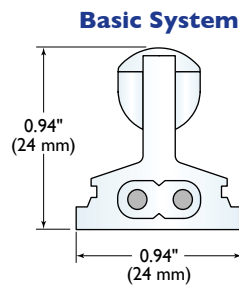
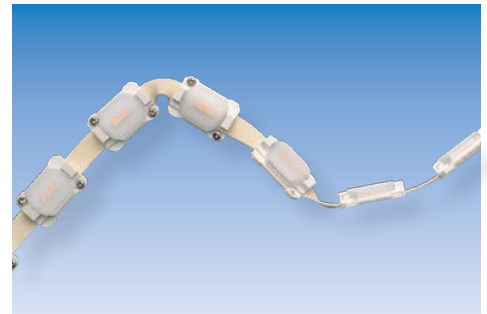
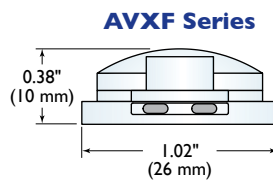
AVXF Series is the most popular version of Advantage. This system has a very low-profile with a highly flexible conductor.



AVXF highlights contours with a seamless flow of light.



A striking display of Advantage highlights this concert hall.  
Design: Environment Design Institute  
Lighting Design: Lighting Planners Associates  
Photo: Toshio Kaneko



## Advantage and AVXF KC (Kelvin-Changing) LEDs

Our unique KC LEDs change color temperature as they are dimmed. They begin at 2700K and go all the way to a candlelight color of 2000K.



2700K Level



2000K Level

# Exhibitor™ Series

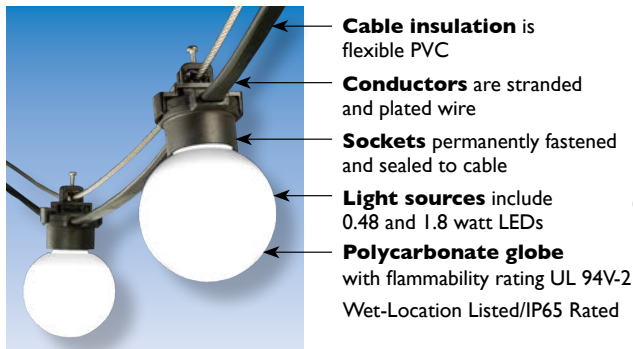
Exhibitor Series is a Wet-Location Listed/ IP65 rated festoon lighting system used in amusement parks, shopping centers, street decorations and promenades. Exhibitor fixtures may also be incorporated into signs or surface mounted to accent rooflines and other architectural features.

A wide selection of LEDs allow you to create a system to complement any theme, setting or ambient light level.

Exhibitor operates from industry-standard 24VAC transformers and is easily dimmed. Transformers are provided within NEMA 3R enclosures.

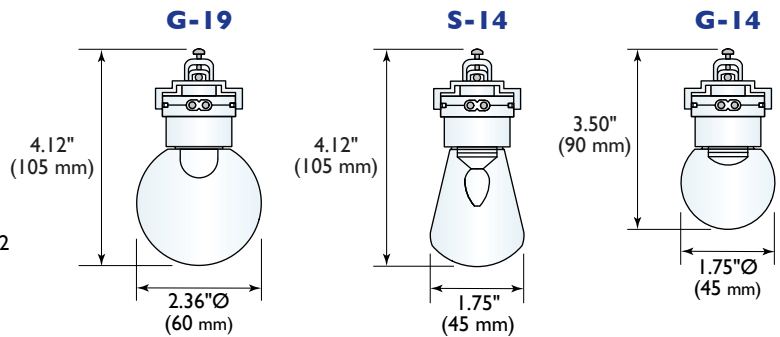


Exhibitor with Virtual Incandescent LEDs creates a radiant canopy of light.



- ← **Cable insulation** is flexible PVC
- ← **Conductors** are stranded and plated wire
- ← **Sockets** permanently fastened and sealed to cable
- ← **Light sources** include 0.48 and 1.8 watt LEDs
- ← **Polycarbonate globe** with flammability rating UL 94V-2 Wet-Location Listed/IP65 Rated

## Globe Selection



## Light Sources

Virtual Incandescent™ and Ultra Bright LEDs consume 1.8 watts. Our highly efficient 0.48 watt LEDs are available in a variety of colors.



### Ultra Bright LED 1.8 watts /24VAC

These LEDs have the same apparent brightness as incandescent lamps, with over four times the life rating.



### Virtual Incandescent™ 1.8 watts /24VAC

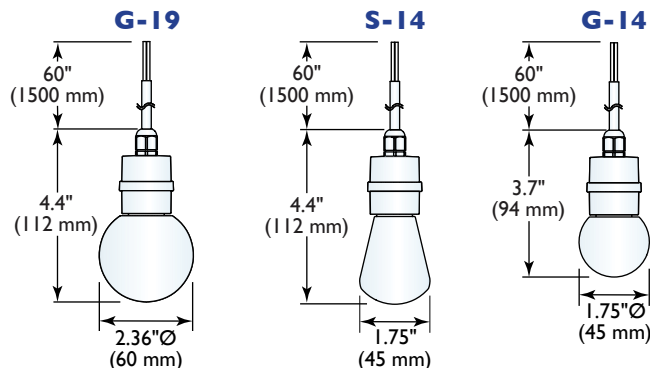
Virtual Incandescent LEDs do a remarkable job of emulating point-source effects of traditional incandescent lamps.

## 0.48 watt LEDs Shown with Frosted Globes



## Exhibitor Pendants

Exhibitor Pendants are independent sockets of our Exhibitor Series with a lead wire exiting the back. Fixtures have an IP66 rating, are Wet-Location Listed and may be suspended from any surface with liquid-tight strain relief fittings.



Reveler is an indirect lighting system featuring many of the most popular and unique virtues of other Tokistar lighting systems.

With a Wet-Location listing and an IP66 rating, it is perfectly suited for lighting building facades. A flexible conductor easily conforms to twists and turns.

Reveler operates from industry-standard 12VAC transformers and is easily dimmed. Transformers are provided within NEMA 3R enclosures.



Reveler follows form to create a striking display of indirect light.

## Basic System

### Reveler Color Options



2700K

3000K

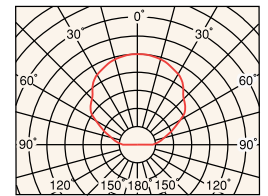
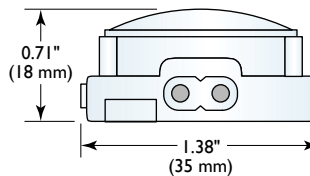
5500K

Blue



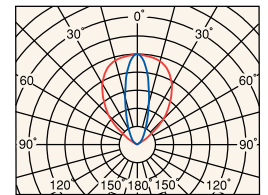
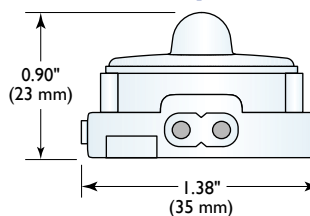
The optics package includes a 120° lens for broad distribution.

### 120° Lens



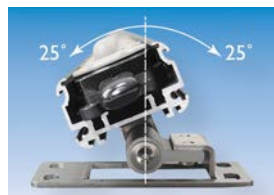
Our linear spread lens is perfect for grazing light greater distances.

### 25° x 80° Spread Lens

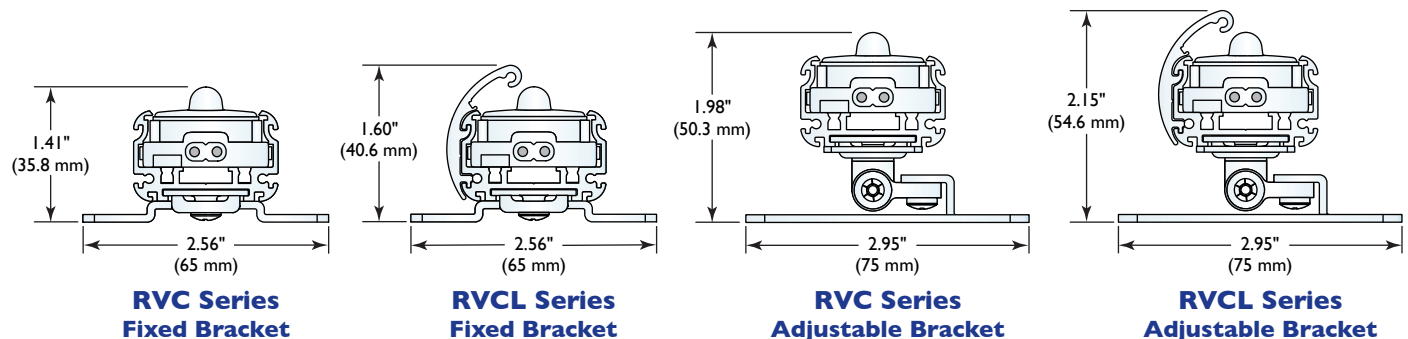


## Optional Channels

Reveler silver-anodized channels ensure the linear integrity of an installation. An integral louver is available as a "glare guard" to keep LEDs from line of sight. Maximum channel length is eight feet.



Adjustable brackets pivot 25°



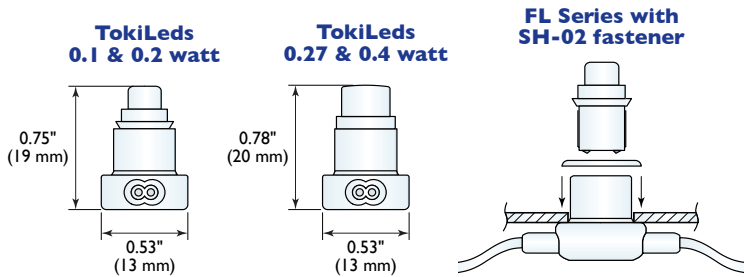
# Lightstrings

Tokistar Lightstrings is a system of sockets wired in parallel and permanently attached to flexible, commercial-grade cable. Light sources include energy-efficient TokiLeds with full-range viewing. Our "smart" Kinetic TokiLeds add unique animated effects.

All-weather construction ensures the integrity of installations will be maintained in all environments. For protection in wet locations, LEDs are provided with Tokistar's protective silicone caps.



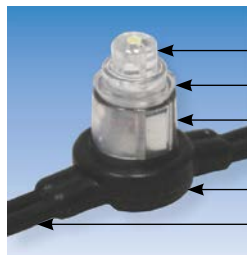
Lightstrings are wrapped around each palm tree in this coastal setting.



Design: Yamaha Facility Management / LADAKH DESIGN ASSOCIATES CO., LTD. Photo: Nacasa & Partners

Kinetic cross-fading LEDs behind blue translucent panels create a striking display.

## Specifications



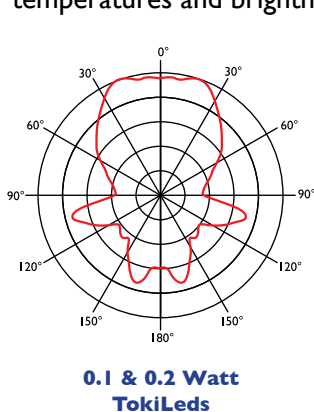
- Light Sources** include static and Kinetic TokiLeds
- Silicone Caps** provide protection in all environments
- Polycarbonate Sockets** with flammability rating UL 94V-0
- Flexible Conductors** are plated #18 AWG
- Sockets** are soldered and permanently sealed to cable
- Insulation** is flexible PVC with flammability rating UL 94 HB

**Wet-Location Listed  
IP65 Rated**

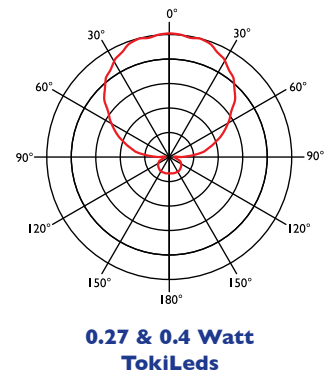
## TokiLeds / Lightstrings & Tapelight

TokiLeds are the most durable and energy efficient of all our light sources. Their unique phosphor-colored lens reflects light in all directions, resulting in full-range viewing.

White TokiLeds do an outstanding job of emulating true incandescent light. Our selection includes a variety of color temperatures and brightness levels.



**Select from a wide range of vibrant colors**





For 50 years Tapelight Systems by Tokistar® have provided accent lighting effects in a variety of venues.

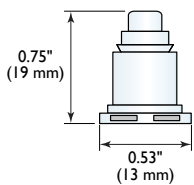
Low-profile and highly flexible cables make Tapelight an extremely versatile product, enabling it to fit in small niches and conform to any shape.

Light sources include LEDs in a variety of color temperatures, output levels and vibrant colors for single circuit and chasing.

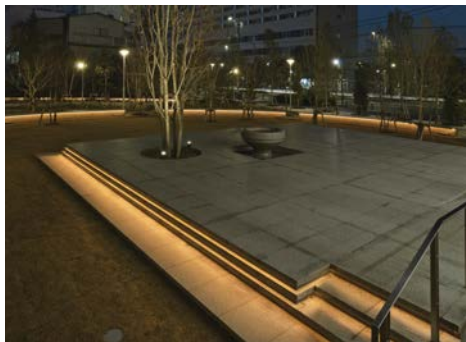
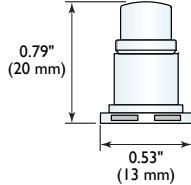


LS Series provides a sparkling accent to the entrance of this amusement park.

**TLP/LS Series TokiLeds**  
0.1 & 0.2 watt



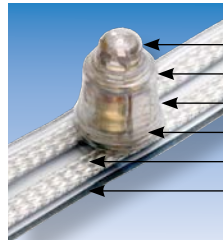
**TLP/LS Series TokiLeds**  
0.27 & 0.4 watt



LS Series creates a stunning seamless glow beneath a cantilevered edge.

## Specifications

**Wet-Location Listed**  
**IP65 Rated**



- Light Sources include static and Kinetic TokiLeds
- Polycarbonate Sockets with flammability rating UL 94V-0
- Silicone Caps provide protection in all environments
- Sockets are soldered and ultrasonically bonded to cable
- Flexible Braided Conductors are plated copper and rated 12 amps
- Insulation is UV-stabilized flexible PVC with flammability rating UL 94 HB

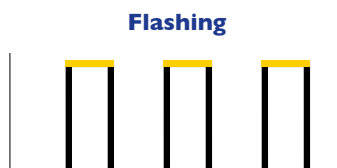
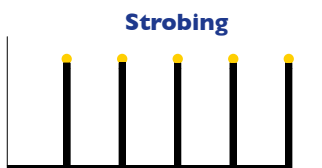
## Kinetic TokiLeds / Lightstrings & Tapelight

Kinetic TokiLeds are for use with both Lightstrings and Tapelight Systems, they include a microchip to create self-actuated flashing, cross-fading or strobing effects. Each LED operates independently for a totally random appearance.

These LEDs do not require a controller, adding to the system's cost efficiency and reliability. Kinetic TokiLeds may also be mixed with other TokiLeds on the same fixture to create a background of static light.



### Kinetic LEDs



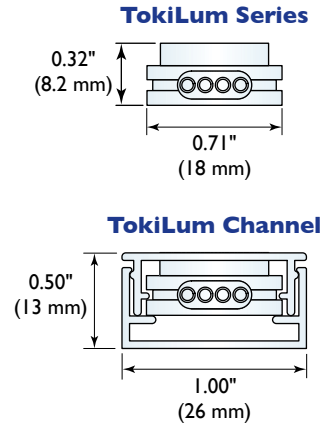
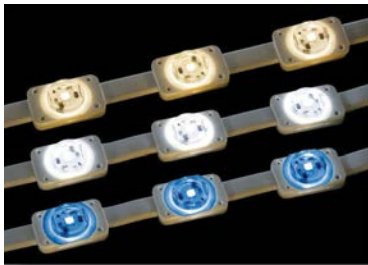
## TokiLum

TokiLum is used to provide a continuous wash of light on building facades, step-risers and many other architectural features. Options include 2"/50mm or 4"/100mm spacing with 3000, 6500K and blue LEDs.

TokiLum features LED modules tightly sealed within an IP66 rated all-environment package, and permanently fixed to a flexible cable. This low profile system generates very little heat, and is Wet-Location Listed.



Indirect TokiLum 6500K highlights the entrance to this building.



Design: Nakajima Tatsuoki Lighting Design Laboratory Photo: Toshio Kaneko

TokiLum dramatically highlights the walkway in this colorful public park setting.

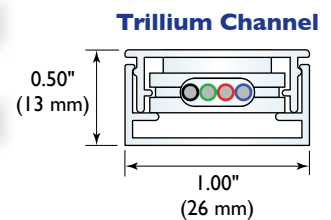
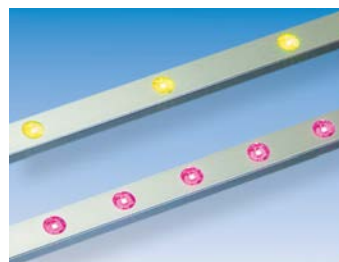
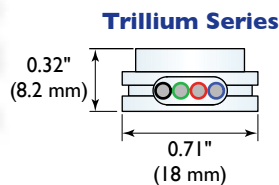
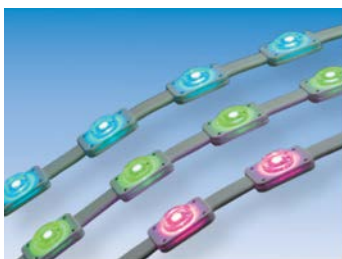
## Trillium

Trillium uses Tri-Color LEDs to produce vibrant and perfectly blended color whether the LED is viewed directly, casting light on a reflective surface or used to backlight translucent material.

LED modules are tightly sealed in an IP66 rated all-environment package and permanently fixed to a highly flexible cable. An optional aluminum channel is available to conceal the conductor in visible applications. Trillium is Wet-Location listed.



Vibrant RGB color animates this restaurant ceiling.



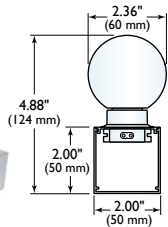
## Linear Extrusions

Tokistar Linear Extrusions come in many different shapes, sizes and finishes to satisfy a variety of applications.

Fixtures may be ordered as single circuit for static operation or with multiple circuits to create animated chasing effects.

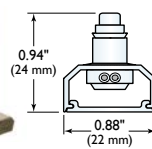
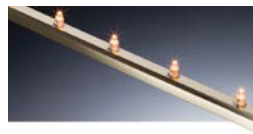


Tokistar's TDR Series conforms to curves to accent this casino interior.



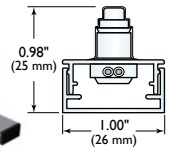
### EXC Series

EXC Series incorporates our Exhibitor Series into a 2" x 2" aluminum profile for use in all environments. Wet-Location Listed and IP65 rated.



### TDR Series

TDR Series is for interior applications. The reflective finish and faceted profile creates multiple sparkling images.



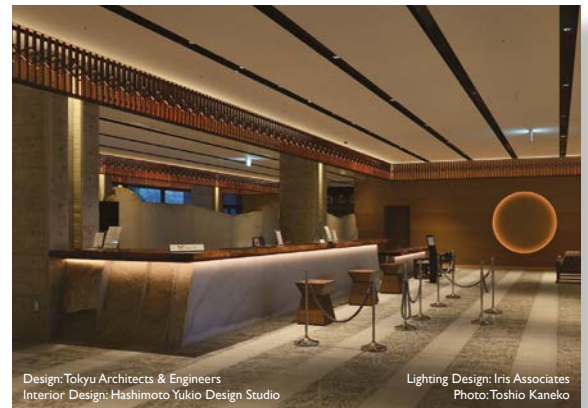
### TXRA Series

TXRA Series is for exterior applications. Standard finish is satin aluminum with custom finishes available upon request. Wet-Location Listed and IP65 rated.

## Cable Lighting

Tokistar Cable Lighting Systems are compact luminaires easily incorporated into confined spaces for soft and uniform illumination. They are also popular for highlighting architectural details with points of light.

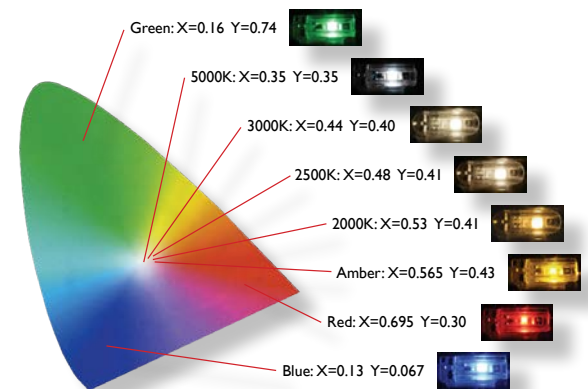
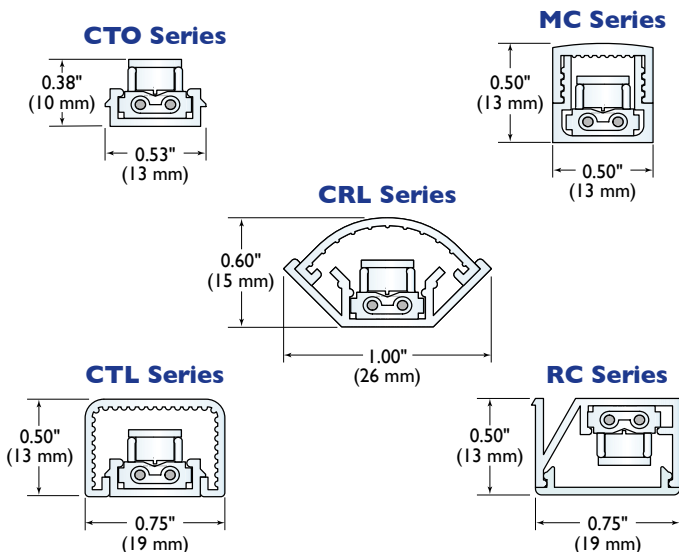
Cable Lighting offers an assortment of energy-efficient LEDs in 2000, 2500, 3000, 5000K and four other vibrant colors. LEDs are easily replaced and fixtures can be trimmed to a precise length on site.



Design: Tokyu Architects & Engineers  
Interior Design: Hashimoto Yukio Design Studio

Lighting Design: Iris Associates  
Photo: Toshio Kaneko

Cable Lighting with 2500K LEDs warmly accents the front of this reception desk.



Selection Guide

Restaurants

Hotels

Shopping Malls

**Resorts**

**Casinos**

Cabinetry

Showcase

Amusement Parks

Theatres

*Residential*

Signs and Displays

*Millwork*

Museums

*City Walks*

Exhibits

Hospitality

Point of Purchase

Retail Stores

*Cruise Lines*

*Entertainment*

**Nightclubs**

**Stage/Theatrical**



**TOKISTAR® LIGHTING INC.**

1015 E. Discovery Lane • Anaheim, CA 92801

Tel: 714.772.7005 • Fax: 714.772.7014 • Toll free in USA: 877.340.7633

Email: [info@tokistar.com](mailto:info@tokistar.com) • Website: [www.tokistar.com](http://www.tokistar.com)